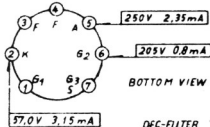
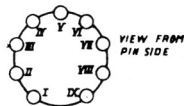
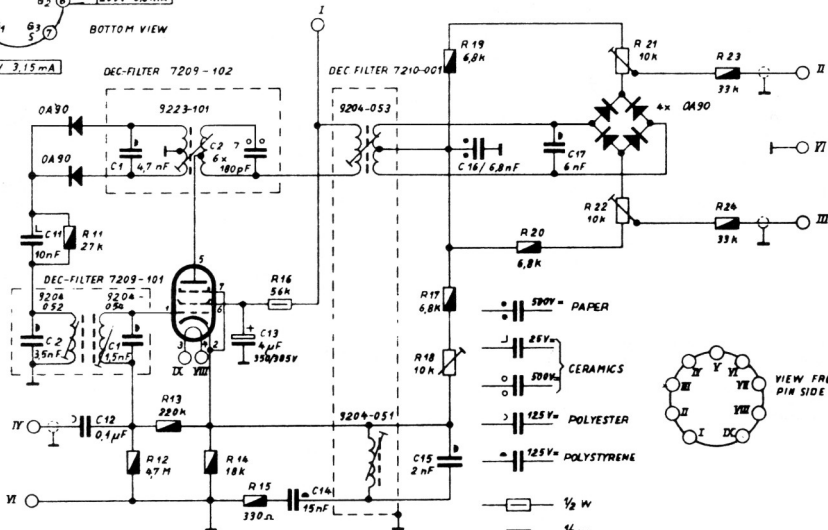


6 BH 6
6.3V 0.15A



VOLTAGES MEASURED TO CHASSIS
WITH GRUNDIG VTM AT 250V=
MEASURING VALUES VALID FOR CONTACT I
WITHOUT INPUT SIGNAL



FC: 2. 1 FC 1. 2...7.

221061He

C	11.	12.	13.	14.	15.	16.	17.
R	11.	12.	13.	14.	15.	16.	17.

GRUNDIG WERKE FURTH (BAY.)

DECODER

(19-8018-1001/S)